

# CONDUCTIVITY PROBE

## EC Probe CK-1



### Field Application:

- Waste water
- Drinking Water
- Cooling Towers
- Irrigation

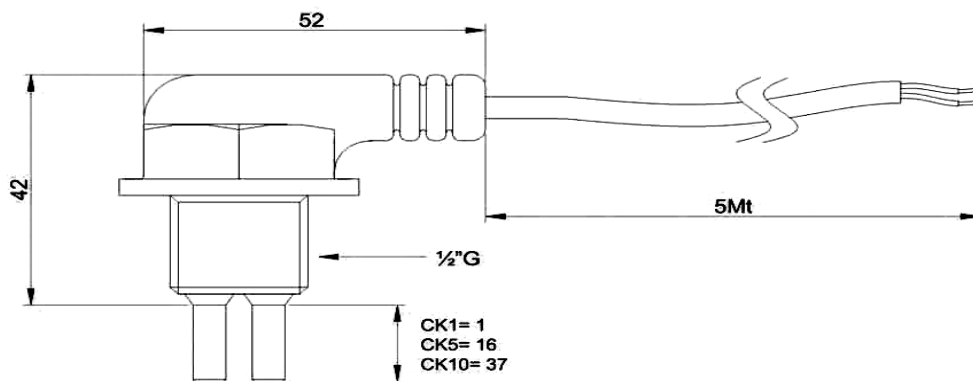
### Features:

- Costante Cell: - 1,0 cm<sup>-1</sup> or K=1
- Body material PVC 60°C
- Stainless steel 316L electrodes
- Mechanical Connection: 1/2 Gas M Pvc

## TECHNICAL CHARACTERISTICS

|                    |                            |
|--------------------|----------------------------|
| Measurement range: | 1÷5000µS                   |
| Costante [C-K]:    | C=1 cm <sup>-1</sup> K=1cm |
| Temp. Range:       | 60° C                      |
| Pressure Range:    | 6(*) bar                   |
| Body material:     | PP-AISI 316                |
| Mounting Process:  | 1/2" G.M.                  |
| Cable:             | 5 m                        |

## DIMENSIONS



(\*)The maximum pressure of 6 bars is guaranteed at 25 °C. As the temperature increases, the pressure decreases linearly and at 50° or 80 °C, the maximum pressure is 1 bar.

Technical data can be changed without notice.  
EC Probe C-K1 –R2