

**fluimac**<sup>®</sup>  
pump solution



---

# DRAGON

HORIZONTAL CENTRIFUGAL PUMPS

Made in  
Italy

[www.fluimac.com](http://www.fluimac.com)

ENGLISH 

# DRAGON

DRAGON plastic horizontal centrifugal pumps are high performance pumps operated by a direct-drive electric motor for fast fluid transfer and drainage with flow-rates ranging from 6 to 40 m<sup>3</sup>/h. The special semi-opened impeller design allows continuous pumping even with dirty fluids with apparent viscosity up to 500cps. and small suspended solids.

DRAGON centrifugal pumps feature a solid pump casing and a lantern for connecting the electric motor and inspection of the mechanical seal. The semi-opened impeller is fitted to the pump shaft that is integral with the drive shaft of the electric motor. The shaft mechanical seal is housed at the rear of the impeller.

## MAIN FEATURES

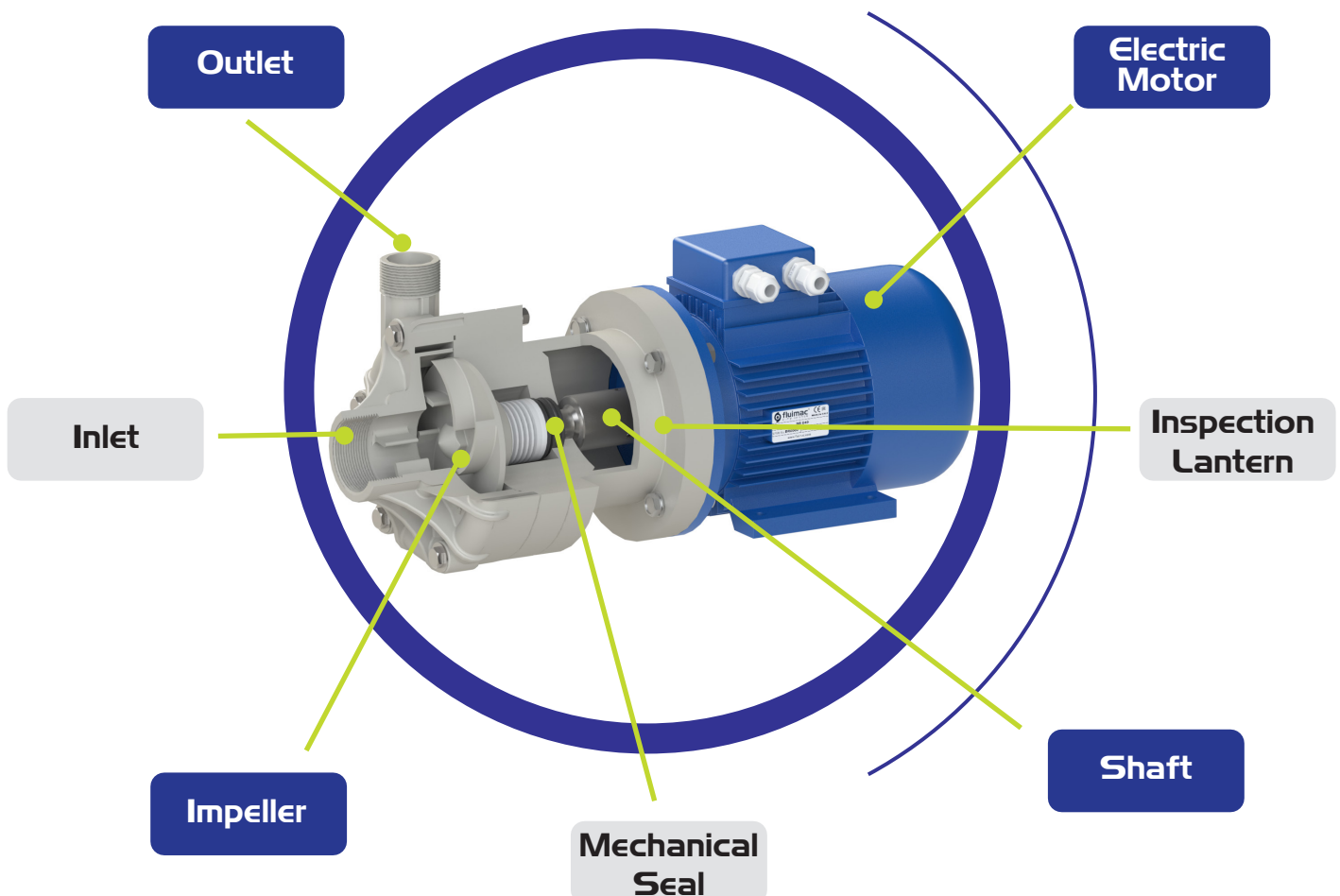
- Casing and impeller in PP and PVDF
- O-ring in EPDM and VITON
- Single Mechanical Seal
- Max delivery head 25 mts
- Max flow - Rate: 40 m<sup>3</sup>/h
- Temperature: from -20 °C to + 95°C
- Max viscosity: 500 CPS
- Electric motors from 0,37 Kw up to 5,5kW
- Specific Gravity up to 1.9

## INSTALLATION



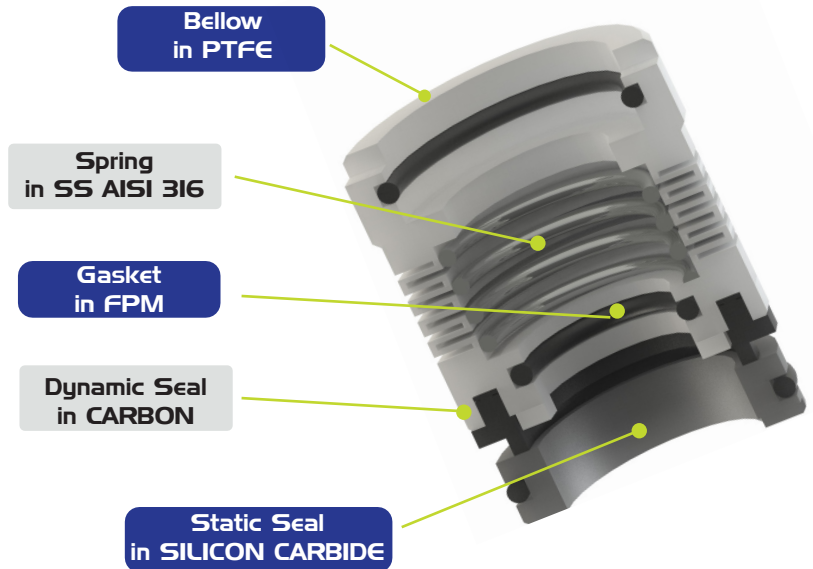
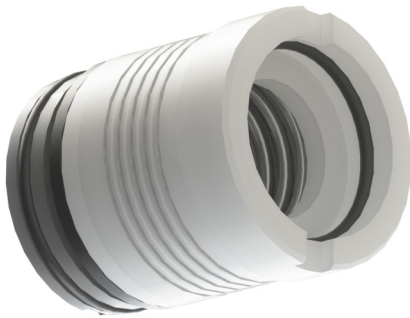
### POSITIVE SUCTION

DRAGON centrifugal pumps should only be installed with the shaft positioned horizontally in a positive suction head arrangement. Suitable devices should be fitted to prevent dry running and the formation of a vortex and possible air suction. Running dry or with air bubbles can cause damage to the mechanical seal.



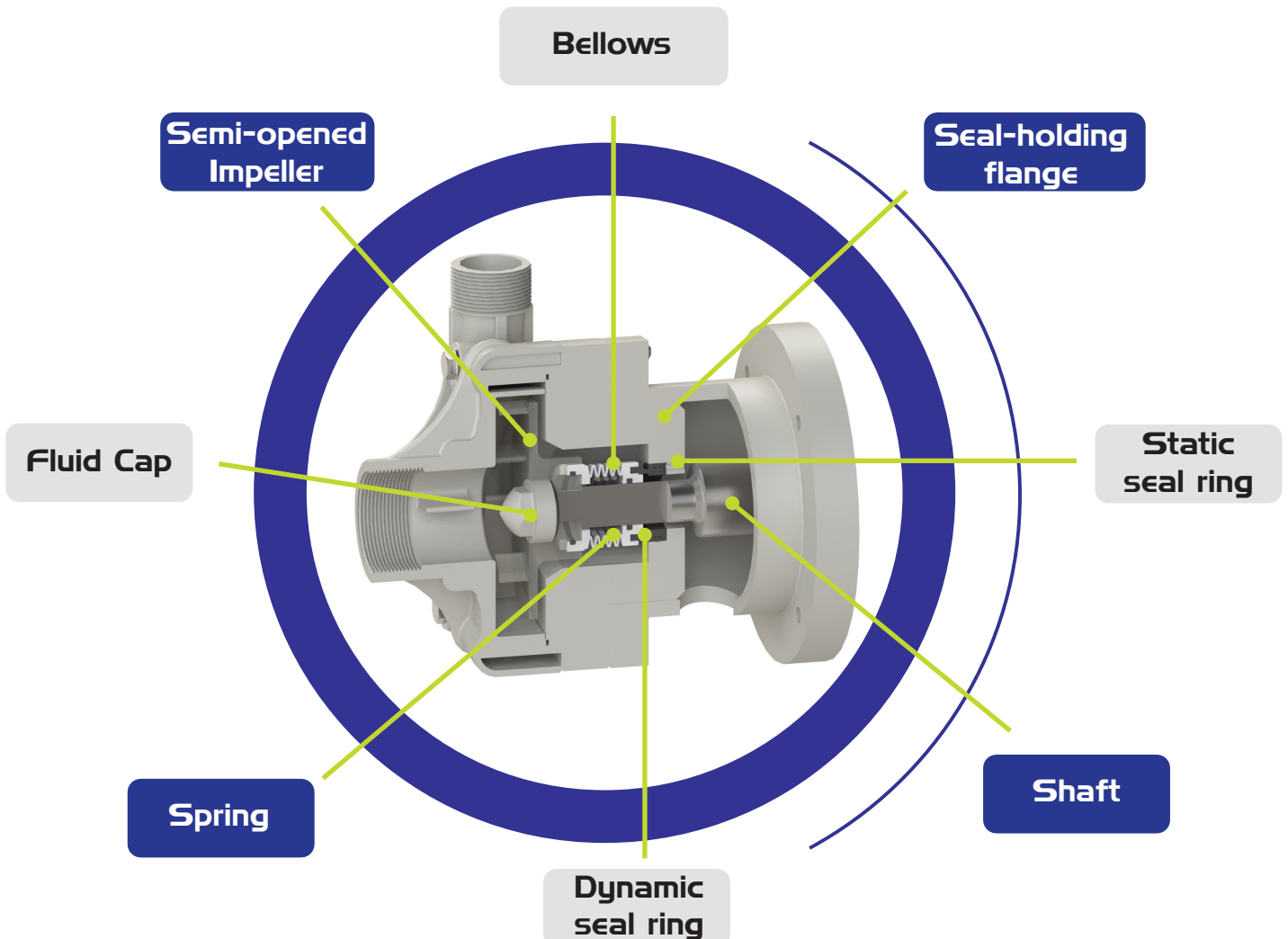
# DRAGON

DRAGON mechanical seal is designed with externally 100% virgin PTFE bellows for extreme corrosion resistance applications. The entire seal assembly and component parts employ mechanical drive to prevent slippage on the shaft or sleeve. Seal assembly is outside mounted and internally pressurized.



## MAIN FEATURES

- Special design
- Anti-rotation
- High chemical design
- SiC/C/FPM/SS304
- Able to handle dirty fluid



## PP



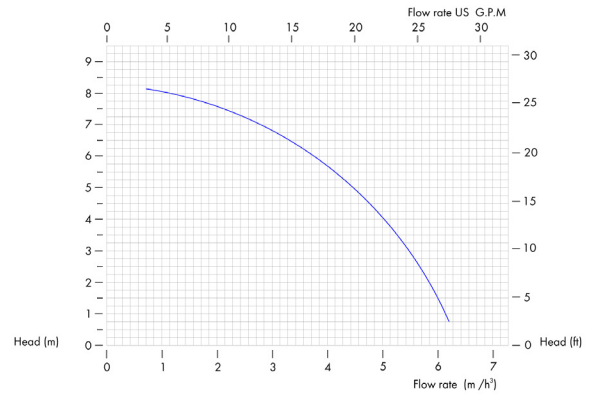
## PVDF



### TECHNICAL DATA

Inlet connections	<b>1" 1/2 F</b>
Outlet connections	<b>1" M</b>
Max. Flow rate	<b>6 m3/h</b>
Max. Delivery head	<b>8 mts</b>
Max Viscosity	<b>100 cps</b>
Temperature PP	<b>-5°C +65°C</b>
Temperature PVDF	<b>-20°C +90°C</b>
Impeller	<b>Semi-Opened</b>

### PERFORMANCE



The curves and performance values refer to pumps with free delivery outlet with water at 20 °C, and two poles motor 50 Hz

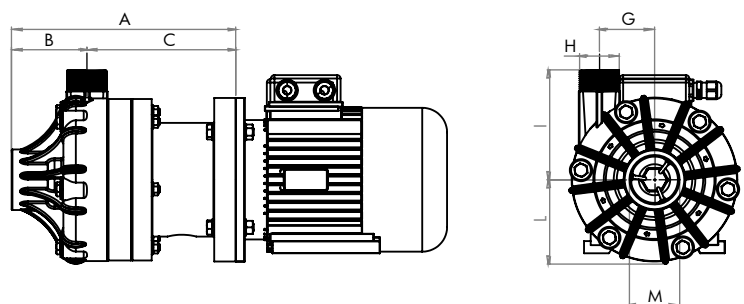
### SPECIFIC GRAVITY TABLE

L = 0,37 Kw	M = 0,55 Kw	H = 0,75 Kw
up to 1,2	up to 1,5	up to 1,9

### MOTOR SPECIFICATION

SIZE	Kw	DESIGN
IEC 71	0,37	B3+B5
IEC 71	0,55	B3+B5
IEC 71	0,75	B3+B5

### DIMENSIONS



A	B	C	G	H	I	L	M
200	68	132	47	1"	101	80	1" 1/2

\*Depend on the manufacturer

### COMPOSITION

MODEL	CASING	O RING	MECHANICAL SEAL	CONNECTIONS	PUMP DESIGN	MOTOR VERSION
<b>DR006</b>	<b>P = PP</b> <b>K = PVDF</b>	<b>D = EPDM</b> <b>V = VITON</b>	<b>T1 = SIC + C</b>	<b>1 = BSP STD</b> <b>2 = FLANGED</b>	<b>L = LOW DENSITY</b> <b>M = MEDIUM DENSITY</b> <b>H = HIGH DENSITY</b>	<b>IE = 3PH STD</b> <b>X = ATEX</b> <b>1P = 1PH</b> <b>- = NO MOTOR</b>

## PP



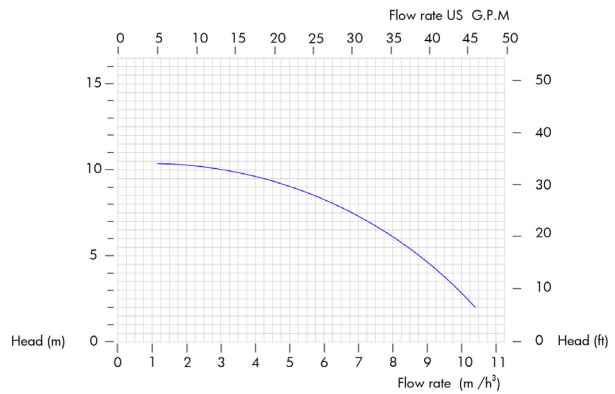
## PVDF



### TECHNICAL DATA

Inlet connections	<b>1" 1/2 F</b>
Outlet connections	<b>1" M</b>
Max. Flow rate	<b>10 m<sup>3</sup>/h</b>
Max. Delivery head	<b>10 mts</b>
Max Viscosity	<b>150 cps</b>
Temperature PP	<b>-5°C +65°C</b>
Temperature PVDF	<b>-20°C +90°C</b>
Impeller	<b>Semi-Opened</b>

### PERFORMANCE



The curves and performance values refer to pumps with free delivery outlet with water at 20 °C, and two poles motor 50 Hz

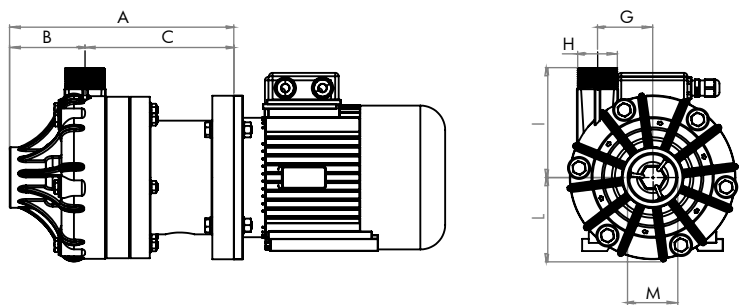
### SPECIFIC GRAVITY TABLE

L = 0,55 Kw	M = 0,75 Kw	H = 1,1 Kw
up to 1,2	up to 1,5	up to 1,9

### MOTOR SPECIFICATION

SIZE	Kw	DESIGN
IEC 71	0,55	B3+B5
IEC 71	0,75	B3+B5
IEC 80	1,1	B3+B5

### DIMENSIONS



A	B	C	G	H	I	L	M
200	68	132	47	1"	101	80	1"1/2

\*Depend on the manufacturer

### COMPOSITION

MODEL	CASING	O RING	MECHANICAL SEAL	CONNECTIONS	PUMP DESIGN	MOTOR VERSION
<b>DR010</b>	<b>P = PP</b> <b>K = PVDF</b>	<b>D = EPDM</b> <b>V = VITON</b>	<b>T1 = SIC + C</b>	<b>1 = BSP STD</b> <b>2 = FLANGED</b>	<b>L = LOW DENSITY</b> <b>M = MEDIUM DENSITY</b> <b>H = HIGH DENSITY</b>	<b>IE = 3PH STD</b> <b>X = ATEX</b> <b>1P = 1PH</b> <b>- = NO MOTOR</b>

## PP



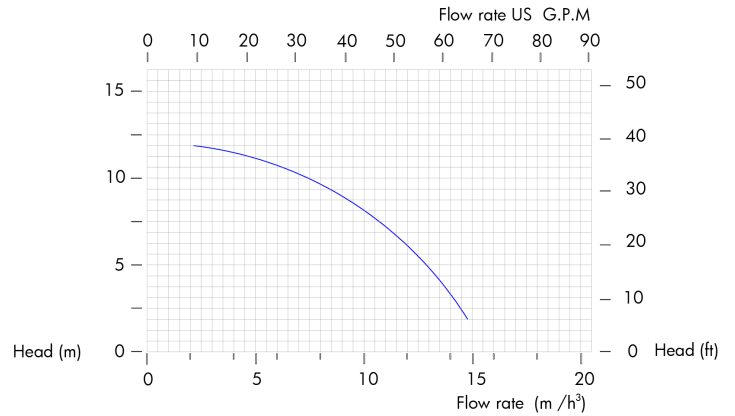
## PVDF



### TECHNICAL DATA

Inlet connections	1" 1/2 F
Outlet connections	1" M
Max. Flow rate	15 m <sup>3</sup> /h
Max. Delivery head	12 mts
Max Viscosity	200 cps
Temperature PP	-5°C +65°C
Temperature PVDF	-20°C +90°C
Impeller	Semi-Opened

### PERFORMANCE



The curves and performance values refer to pumps with free delivery outlet with water at 20 °C, and two poles motor 50 Hz

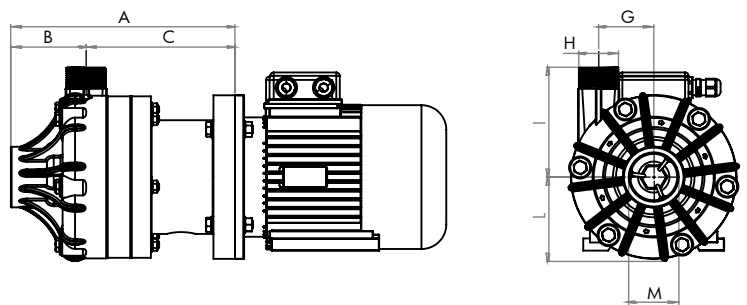
### SPECIFIC GRAVITY TABLE

L = 0,75 Kw	M = 1,1 Kw	H = 1,5 Kw
up to 1,2	up to 1,5	up to 1,9

### MOTOR SPECIFICATION

SIZE	Kw	DESIGN
IEC 80	0,75	B3+B5
IEC 80	1,1	B3+B5
IEC 80	1,5	B3+B5

### DIMENSIONS



A	B	C	G	H	I	L	M
200	68	132	47	1"	101	80	1"1/2

\*Depend on the manufacturer

### COMPOSITION

MODEL	CASING	O RING	MECHANICAL SEAL	CONNECTIONS	PUMP DESIGN	MOTOR VERSION
<b>DR015</b>	<b>P</b> = PP <b>K</b> = PVDF	<b>D</b> = EPDM <b>V</b> = VITON	<b>T1</b> = SIC + C	<b>1</b> = BSP STD <b>2</b> = FLANGED	<b>L</b> = LOW DENSITY <b>M</b> = MEDIUM DENSITY <b>H</b> = HIGH DENSITY	<b>IE</b> = 3PH STD <b>X</b> = ATEX <b>1P</b> = 1PH <b>-</b> = NO MOTOR

## PP



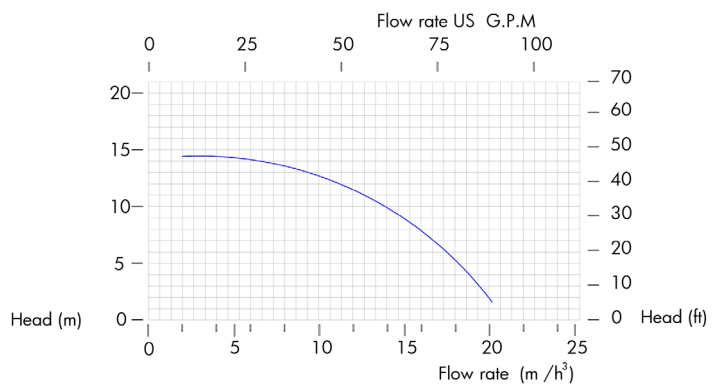
## PVDF



### TECHNICAL DATA

Inlet connections	<b>2" F</b>
Outlet connections	<b>1" 1/2 M</b>
Max. Flow rate	<b>20 m3/h</b>
Max. Delivery head	<b>15 mts</b>
Max Viscosity	<b>300 cps</b>
Temperature PP	<b>-5°C +65°C</b>
Temperature PVDF	<b>-20°C +90°C</b>
Impeller	<b>Semi-Opened</b>

### PERFORMANCE



The curves and performance values refer to pumps with free delivery outlet with water at 20 °C, and two poles motor 50 Hz

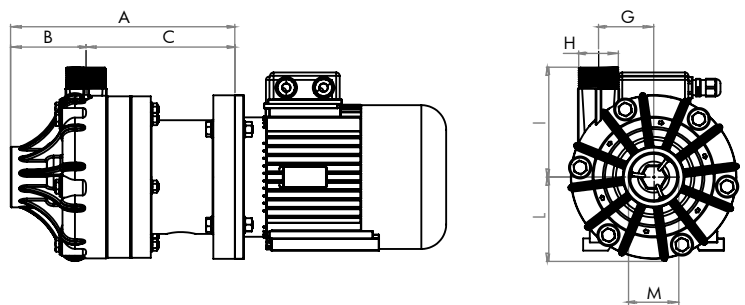
### SPECIFIC GRAVITY TABLE

L = 1,1 Kw	M = 1,5 Kw	H = 2,2 Kw
up to 1,2	up to 1,5	up to 1,9

### MOTOR SPECIFICATION

SIZE	Kw	DESIGN
IEC 80	1,1	B3+B5
IEC 90	1,5	B3+B5
IEC 90	2,2	B3+B5

### DIMENSIONS



A	B	C	G	H	I	L	M
271	91	180	66	1"1/2	134	103	2"

\*Depend on the manufacturer

### COMPOSITION

MODEL	CASING	O RING	MECHANICAL SEAL	CONNECTIONS	PUMP DESIGN	MOTOR VERSION
<b>DR020</b>	<b>P = PP</b> <b>K = PVDF</b>	<b>D = EPDM</b> <b>V = VITON</b>	<b>T1 = SIC + C</b>	<b>1 = BSP STD</b> <b>2 = FLANGED</b>	<b>L = LOW DENSITY</b> <b>M = MEDIUM DENSITY</b> <b>H = HIGH DENSITY</b>	<b>IE = 3PH STD</b> <b>X = ATEX</b> <b>1P = 1PH</b> <b>- = NO MOTOR</b>

## PP



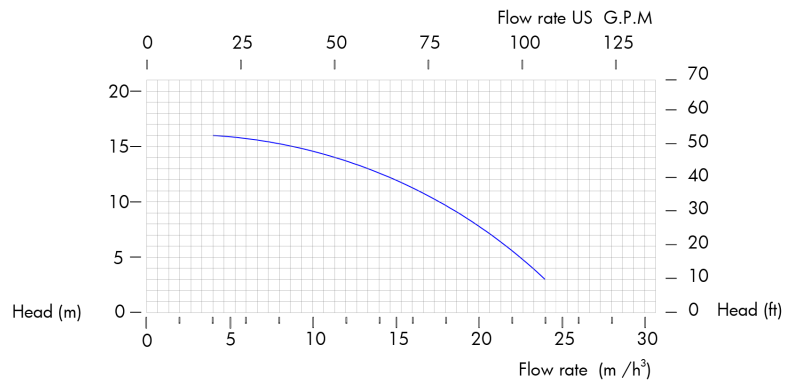
## PVDF



### TECHNICAL DATA

Inlet connections	<b>2" F</b>
Outlet connections	<b>1" 1/2 M</b>
Max. Flow rate	<b>25 m3/h</b>
Max. Delivery head	<b>16 mts</b>
Max Viscosity	<b>400 cps</b>
Temperature PP	<b>-5°C +65°C</b>
Temperature PVDF	<b>-20°C +90°C</b>
Impeller	<b>Semi-Opened</b>

### PERFORMANCE



The curves and performance values refer to pumps with free delivery outlet with water at 20 °C, and two poles motor 50 Hz

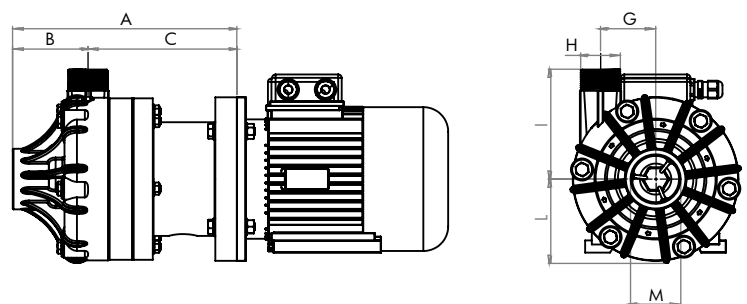
### SPECIFIC GRAVITY TABLE

L = 1,5 Kw	M = 2,2 Kw	H = 3 Kw
up to 1,2	up to 1,5	up to 1,9

### MOTOR SPECIFICATION

SIZE	Kw	DESIGN
IEC 90	1,5	B3+B5
IEC 90	2,2	B3+B5
IEC 100	3	B3+B5

### DIMENSIONS



A	B	C	G	H	I	L	M
271	91	180	66	1"1/2	134	103	2"

\*Depend on the manufacturer

### COMPOSITION

MODEL	CASING	O RING	MECHANICAL SEAL	CONNECTIONS	PUMP DESIGN	MOTOR VERSION
<b>DR025</b>	<b>P = PP</b> <b>K = PVDF</b>	<b>D = EPDM</b> <b>V = VITON</b>	<b>T1 = SIC + C</b>	<b>1 = BSP STD</b> <b>2 = FLANGED</b>	<b>L = LOW DENSITY</b> <b>M = MEDIUM DENSITY</b> <b>H = HIGH DENSITY</b>	<b>IE = 3PH STD</b> <b>X = ATEX</b> <b>1P = 1PH</b> <b>- = NO MOTOR</b>



## PP



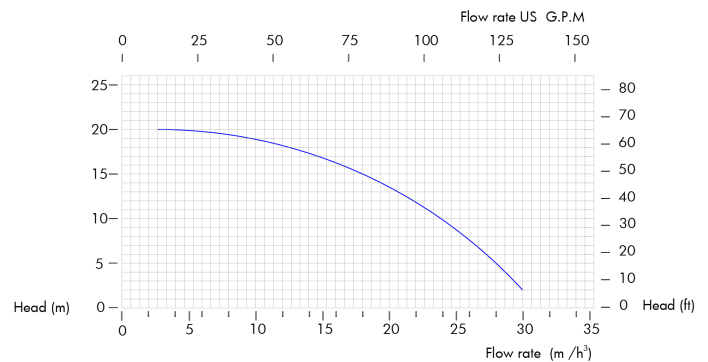
## PVDF



### TECHNICAL DATA

Inlet connections	<b>2" F</b>
Outlet connections	<b>1" 1/2 M</b>
Max. Flow rate	<b>30 m<sup>3</sup>/h</b>
Max. Delivery head	<b>20 mts</b>
Max Viscosity	<b>500 cps</b>
Temperature PP	<b>-5°C +65°C</b>
Temperature PVDF	<b>-20°C +90°C</b>
Impeller	<b>Semi-Opened</b>

### PERFORMANCE



The curves and performance values refer to pumps with free delivery outlet with water at 20 °C, and two poles motor 50 Hz

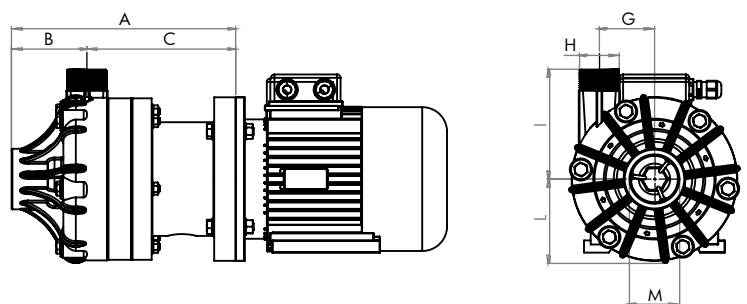
### SPECIFIC GRAVITY TABLE

L = 2,2 Kw	M = 3 Kw	H = 4 Kw
up to 1,2	up to 1,5	up to 1,9

### MOTOR SPECIFICATION

SIZE	Kw	DESIGN
IEC 90	2,2	B3+B5
IEC 100	3	B3+B5
IEC 112	4	B3+B5

### DIMENSIONS



A	B	C	G	H	I	L	M
271	91	180	66	1"1/2	134	103	2"

\*Depend on the manufacturer

### COMPOSITION

MODEL	CASING	O RING	MECHANICAL SEAL	CONNECTIONS	PUMP DESIGN	MOTOR VERSION
<b>DR030</b>	<b>P = PP</b> <b>K = PVDF</b>	<b>D = EPDM</b> <b>V = VITON</b>	<b>T1 = SIC + C</b>	<b>1 = BSP STD</b> <b>2 = FLANGED</b>	<b>L = LOW DENSITY</b> <b>M = MEDIUM DENSITY</b> <b>H = HIGH DENSITY</b>	<b>IE = 3PH STD</b> <b>X = ATEX</b> <b>1P = 1PH</b> <b>- = NO MOTOR</b>

## PP



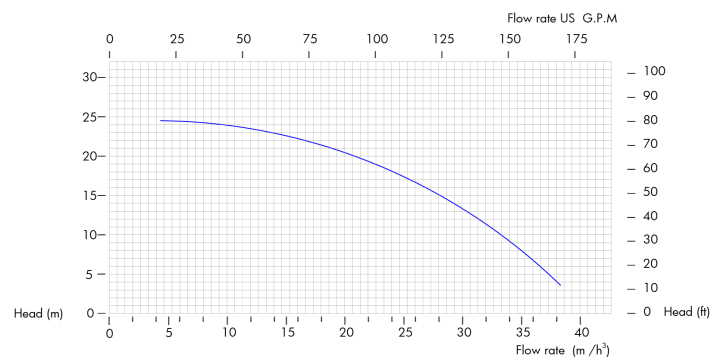
## PVDF



### TECHNICAL DATA

Inlet connections	<b>2" F</b>
Outlet connections	<b>1" 1/2 M</b>
Max. Flow rate	<b>40 m3/h</b>
Max. Delivery head	<b>25 mts</b>
Max Viscosity	<b>500 cps</b>
Temperature PP	<b>-5°C +65°C</b>
Temperature PVDF	<b>-20°C +90°C</b>
Impeller	<b>Semi-Opened</b>

### PERFORMANCE



The curves and performance values refer to pumps with free delivery outlet with water at 20 °C, and two poles motor 50 Hz

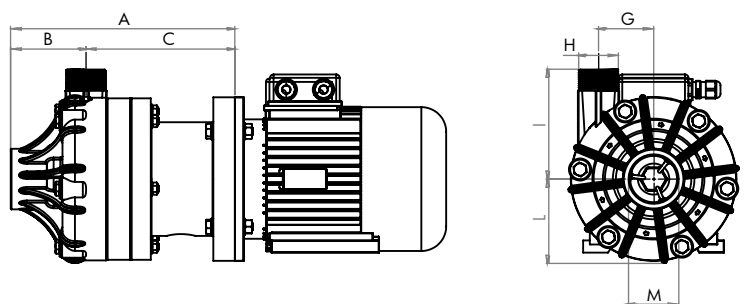
### SPECIFIC GRAVITY TABLE

L = 3 Kw	M = 4 Kw	H = 5,5 Kw
up to 1,2	up to 1,5	up to 1,9

### MOTOR SPECIFICATION

SIZE	Kw	DESIGN
IEC 100	3	B3+B5
IEC 112	4	B3+B5
IEC 112	5,5	B3+B5

### DIMENSIONS



A	B	C	G	H	I	L	M
271	91	180	66	1" 1/2	134	103	2"

\*Depend on the manufacturer

### COMPOSITION

MODEL	CASING	O RING	MECHANICAL SEAL	CONNECTIONS	PUMP DESIGN	MOTOR VERSION
<b>DR040</b>	<b>P = PP</b> <b>K = PVDF</b>	<b>D = EPDM</b> <b>V = VITON</b>	<b>T1 = SIC + C</b>	<b>1 = BSP STD</b> <b>2 = FLANGED</b>	<b>L = LOW DENSITY</b> <b>M = MEDIUM DENSITY</b> <b>H = HIGH DENSITY</b>	<b>IE = 3PH STD</b> <b>X = ATEX</b> <b>1P = 1PH</b> <b>- = NO MOTOR</b>



# ACCESSORIES



## BASKET STRAINER FILTERS IN PP

Installed on the suction of the pumps, protects them from suspended solids and impurity.



## REINFORCED PVC HOSE

With metal reinforcement for suction/discharge, also food-grade.



## INOX TROLLEY

It makes pumps transportable.



## FOOT BALL VALVE

Realized in PP and PVDF. Size available 1" - 1"1/4 - 1"1/2 - 2" Used to prevent the suction hose from emptying.



## ANTI VIBRATION FEET KIT

Reduces physical vibration from AODD pump operation.



## VALVES FITTINGS AND CONNECTIONS IN PP, PVC, INOX



## PP, PVDF, ALU SS NOZZLE

Dispenser to delivery control and batching.



## FLANGE CONNECTION KIT

It modifies a pump with BSP connection into a flanged pump.

# fluimac<sup>®</sup>

pump solution



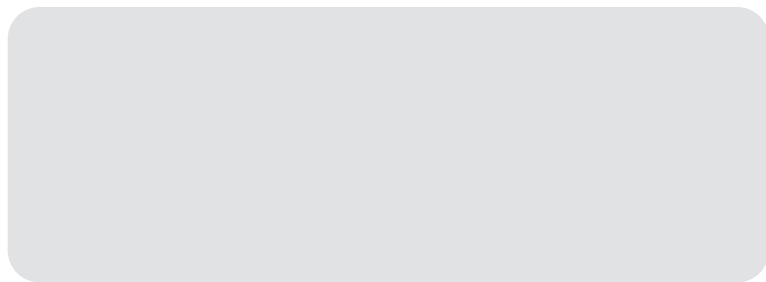
**FLUIMAC S.r.l.**

Via Brescia I  
21049, Tradate (VA) - Italy  
Tel.:+39 0331 866688  
Fax:+39 0331 864870

[www.fluimac.com](http://www.fluimac.com)  
[info@fluimac.com](mailto:info@fluimac.com)



**AUTHORIZED PARTNER:**



*Made in  
Italy*

