

PP



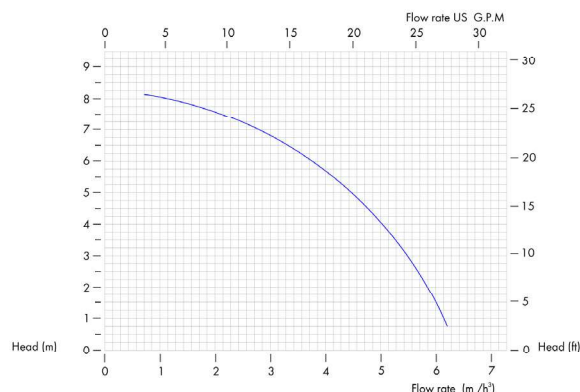
PVDF



TECHNICAL DATA

Inlet connections	1" 1/2 F
Outlet connections	1" M
Max. Flow rate	6 m3/h
Max. Delivery head	8 mts
Max Viscosity	100 cps
Temperature PP	-5°C +65°C
Temperature PVDF	-20°C +95°C
Impeller	Semi-Opened

PERFORMANCE



The curves and performance values refer to pumps with free delivery outlet with water at 20 °C, and two poles motor 50 Hz. These data may vary according to the construction materials and hydraulic conditions.

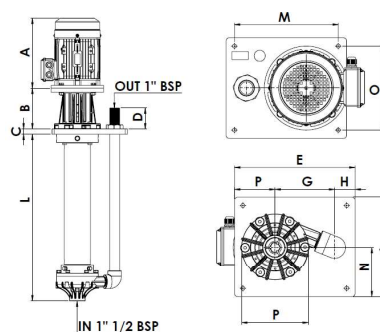
SPECIFIC GRAVITY TABLE

L = 0,37 Kw	M = 0,55 Kw	H = 0,75 Kw
up to 1,2	up to 1,5	up to 1,9

MOTOR SPECIFICATION

SIZE	Kw	DESIGN
IEC 71	0,37	B5
IEC 71	0,55	B5
IEC 71	0,75	B5

DIMENSIONS



A	B	C	D	E	F	G	H	I	M	N	O	P
*	147	20	80	340	130	128,5	81,5	260	290	130	210	Ø165

*Depend on the manufacturer

COMPOSITION

MODEL	CASING	O RING	LENGHT mm	CONNECTIONS	PUMP DESIGN	MOTOR VERSION
TY006	P = PP K = PVDF	D = EPDM V = VITON	250 500 800	1 = BSP STD 2 = FLANGED	L = LOW DENSITY M = MEDIUM DENSITY H = HIGH DENSITY	IE = IEC FLANGE